

LEGEND

- PROPERTY LINE
- △ USGS TRIANGULATION STATION
- ANGLE POINT OF PROJECT BOUNDARY
- PROJECT BOUNDARY
- COUNTY, TOWN, VLLAGE LINES
- & TRANSMISSION LINE R.O.W.
- ROADS
- BEARINGS REFER TO TRUE NORTH
- GRID LINES REFER TO MERCATOR GRID PROJECTION EAST ZONES, NEW YORK STATE
- TOTAL ACREAGE WITHIN PROJECT BOUNDARY-253.4 ACRES
SEE EXHIBIT 'G' TEXT FOR FLOWAGE RIGHTS (AREA IS FOR THIS SHEET ONLY)
- NOTE: SEE EXHIBIT E, SECTION E-5 FOR ADDITIONAL DETAILS ON PROPOSED RECREATIONAL ENHANCEMENTS.

THIS IS A CADD DRAWING.
DO NOT MAKE MANUAL CHANGES.

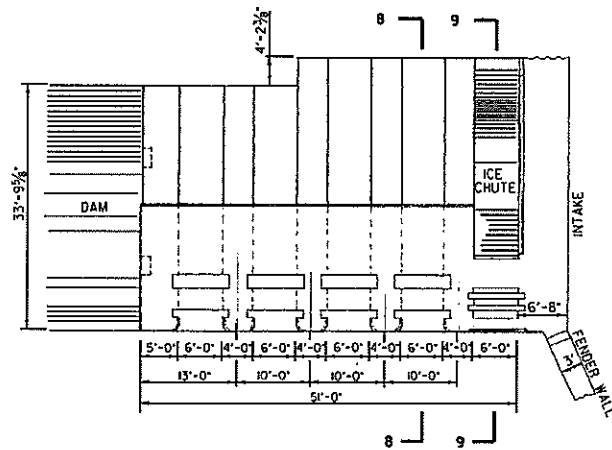
BRIE BOULEVARD HYDROPOWER, LP
MARLBOROUGH, MA
HOOSIC RIVER PROJECT

JOHNSONVILLE DEVELOPMENT
PROJECT BOUNDARY AND LOCATION MAP

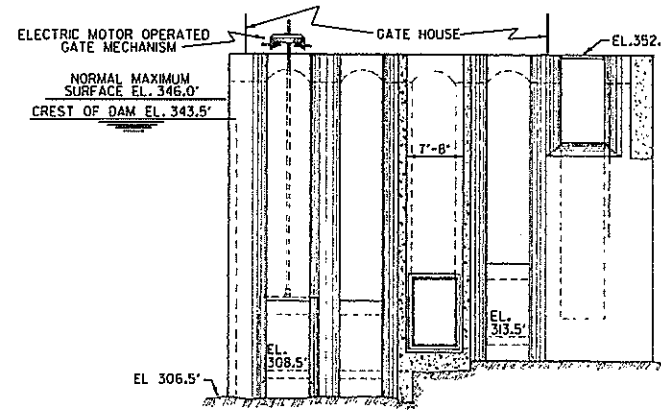
EXHIBIT G SCALE: 1" = 400' SHEET NO. 3

NO.	DATE	DESCRIPTION OF ISSUE OR REVISION	DR.	CK.	APP. NO.	DATE	DESCRIPTION OF ISSUE OR REVISION	DR.	CK.	APP. NO.	DATE	DESCRIPTION OF ISSUE OR REVISION	DR.	CK.	APP. NO.	DATE	DESCRIPTION OF ISSUE OR REVISION	DR.	CK.	APP. NO.	
4	11/6/02	ORDER ISSUING NEW LICENSE-FERC DRG NO.																			
3	1/13/93	LC APPLICATION ACCEPTED FOR FILING																			
2	12/16/91	LICENSE APPLICATION	KIR	DPF	JLS																
1	1/17/91	DRAFT LICENSE APPLICATION	KIR	DPF	JLS																

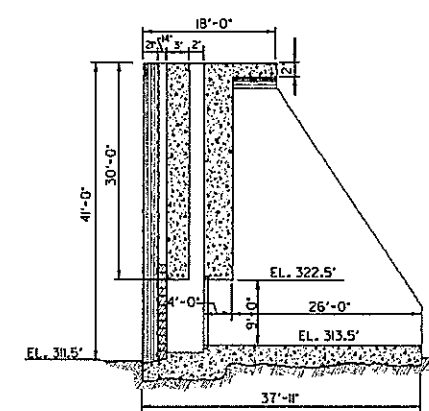
ORIGINAL ISSUE DATE	FILE INDEX	DRAWING NUMBER
	G32616.DGN G32616.GP4	2616-1003



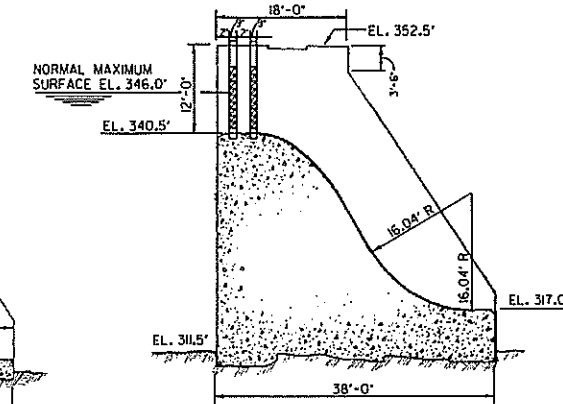
PLAN OF SLUICE GATES
SCALE: 1" = 10'



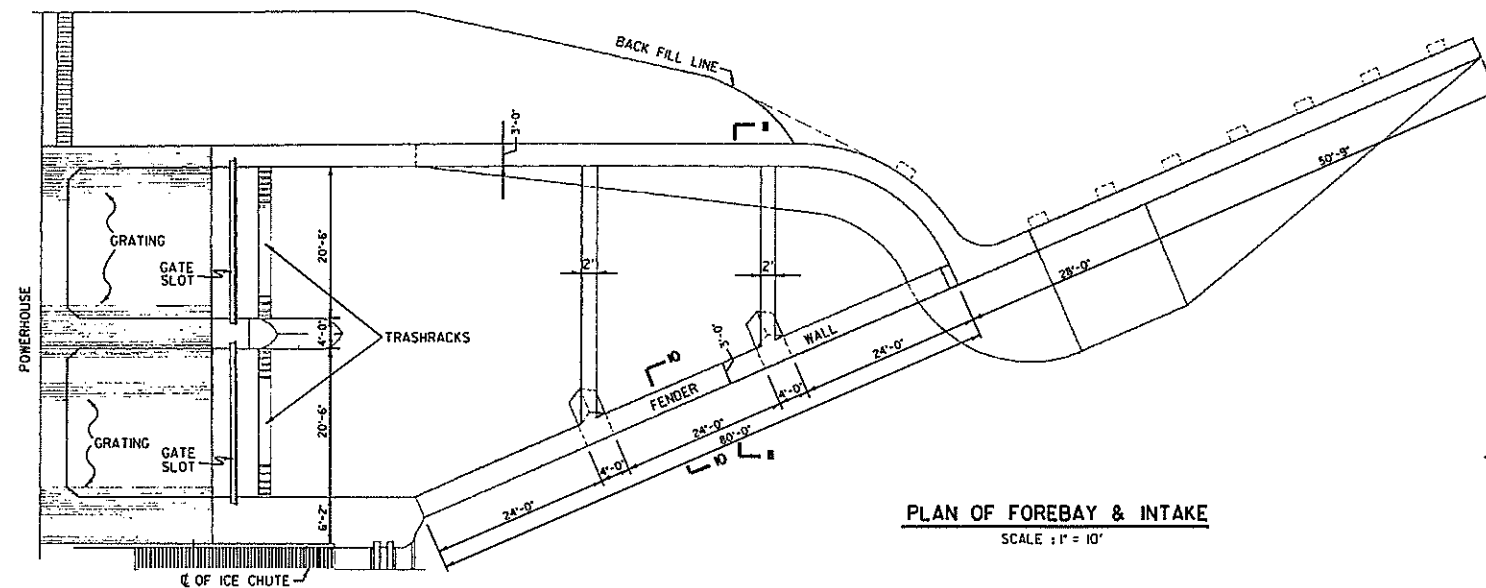
ELEVATION OF SLUICE GATES
SCALE: 1" = 10'



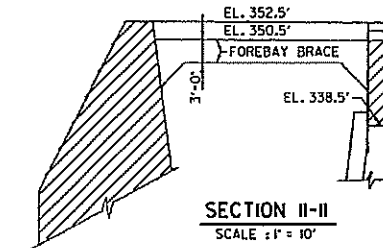
SECTION 8-8
SCALE: 1" = 10'



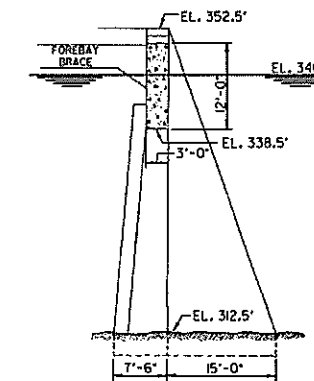
SECTION 9-9
SCALE: 1" = 10'



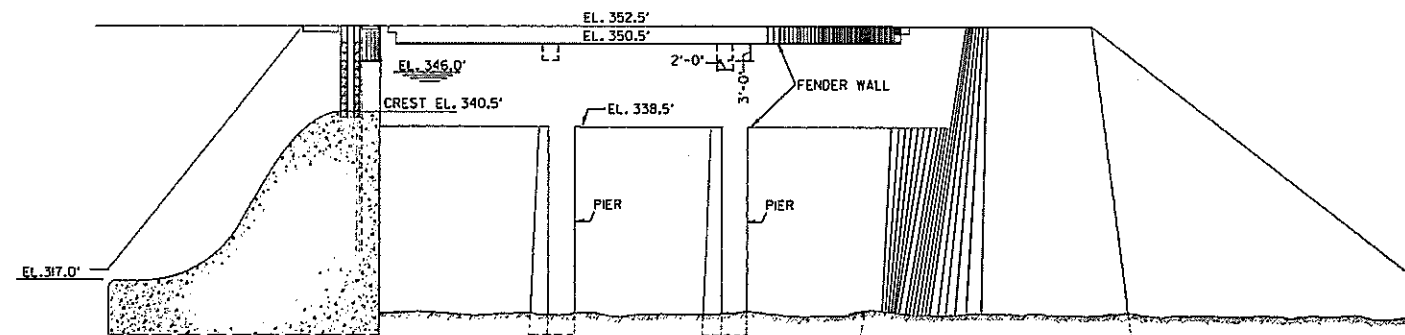
PLAN OF FOREBAY & INTAKE
SCALE: 1" = 10'



SECTION II-II
SCALE: 1" = 10'



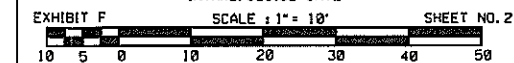
SECTION 10-10
SCALE: 1" = 10'



ELEVATION OF FOREBAY & INTAKE
SCALE: 1" = 10'

THIS IS A CADD DRAWING.
DO NOT MAKE MANUAL CHANGES.

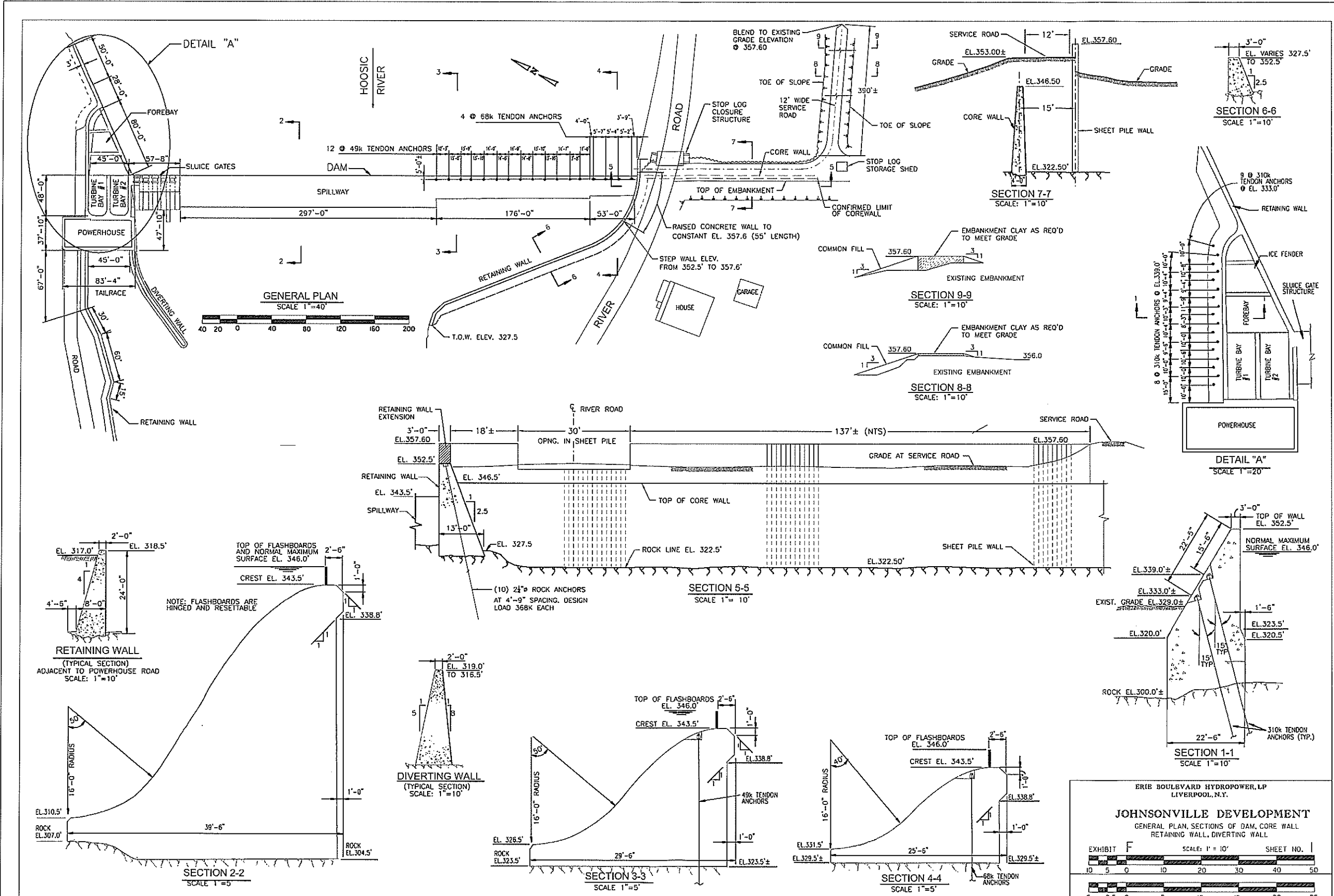
ERIE BOULEVARD HYDROPOWER, LP
LIVBRPOOL, N.Y.
HOOSIC RIVER PROJECT
JOHNSONVILLE DEVELOPMENT
PLAN, ELEVATION & SECTION OF FOREBAY
INTAKE, SLUICE GATE



I:\Projects\2016\Johnsonville Development\Drawings\Johnsonville Development.dwg
 1/2/2016 10:52:51 AM

NO.	DATE	DESCRIPTION OF ISSUE OR REVISION	DR.	CK.	APP.	NO.	DATE	DESCRIPTION OF ISSUE OR REVISION	DR.	CK.	APP.	NO.	DATE	DESCRIPTION OF ISSUE OR REVISION	DR.	CK.	APP.	NO.	DATE	DESCRIPTION OF ISSUE OR REVISION	DR.	CK.	APP.	
4	1/16/02	ORDER ISSUING NEW LICENSE-FERC DRG NO.																						
3	1/15/93	L/C APPLICATION ACCEPTED FOR FILING																						
2	12/16/78	LICENSE APPLICATION																						
1	1/7/78	DRAFT LICENSE APPLICATION																						

ORIGINAL
ISSUE DATE
FILE NAME
F22616.DGN
F22616.CIT
FERC NO. 2616-1006



NO.	DATE	DESCRIPTION OF ISSUE OR REVISION	DR.	CK.	APP.	NO.	DATE	DESCRIPTION OF ISSUE OR REVISION	DR.	CK.	APP.	NO.	DATE	DESCRIPTION OF ISSUE OR REVISION	DR.	CK.	APP.
6	4/16/13	CORE WALL MODIFICATION - AS BUILT	DJS														
5	6/22/10	ORDER APPROVING	DJS														
4	4/26/10	REV'D PLAN SECT 5-5 & SECT 7-7 TO REFLECT ACTUAL CONDITIONS	PLM	TL	TL												
3	1/13/95	LIC. APPLICATION ACCEPTED FOR FILING															
2	12/16/91	LICENSE APPLICATION	PRW	DPF	JLS												
1	1/7/91	DRAFT LICENSE APPLICATION	JPC	DPF	JLS												
7	10/8/13	REVISED PER OCT. 1, 2013 COMMENTS	DJS														

ERIE BOULEVARD HYDROPOWER, LP
LIVERPOOL, N.Y.

JOHNSONVILLE DEVELOPMENT
GENERAL PLAN, SECTIONS OF DAM, CORE WALL
RETAINING WALL, DIVERTING WALL

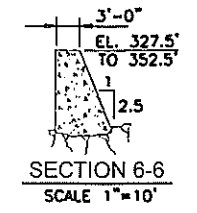
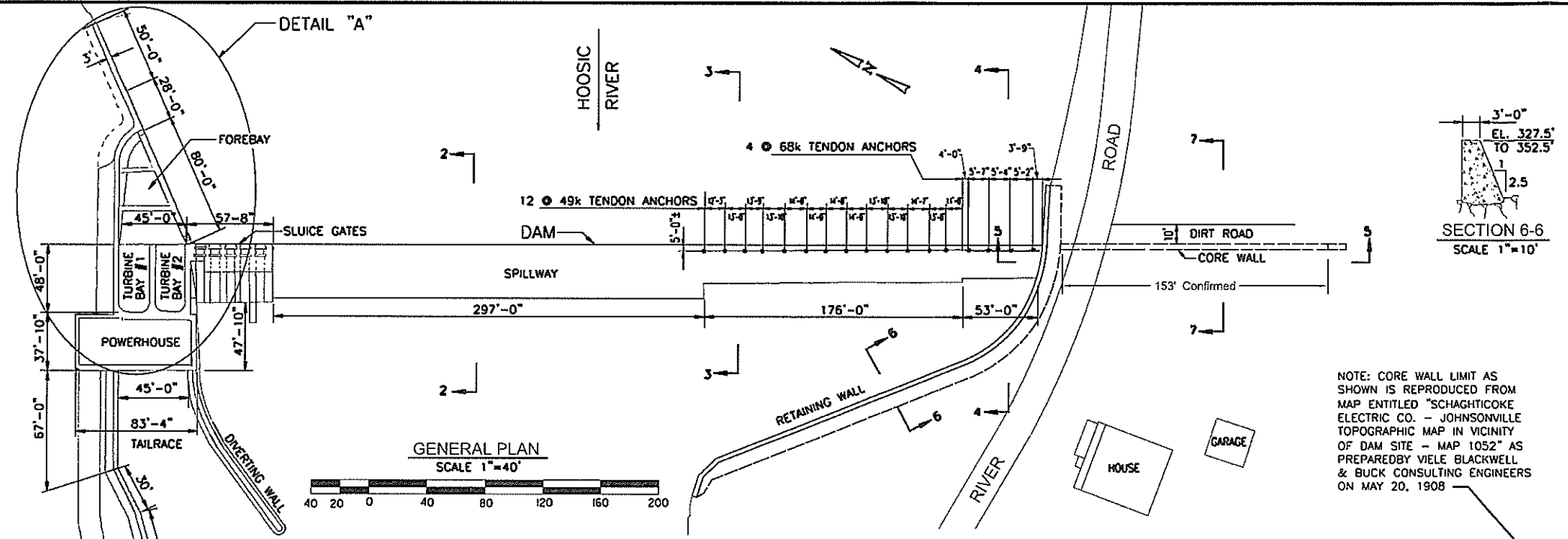
EXHIBIT F SCALE: 1" = 10' SHEET NO. 1

SCALE: 1" = 5'

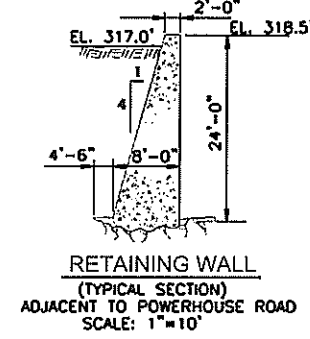
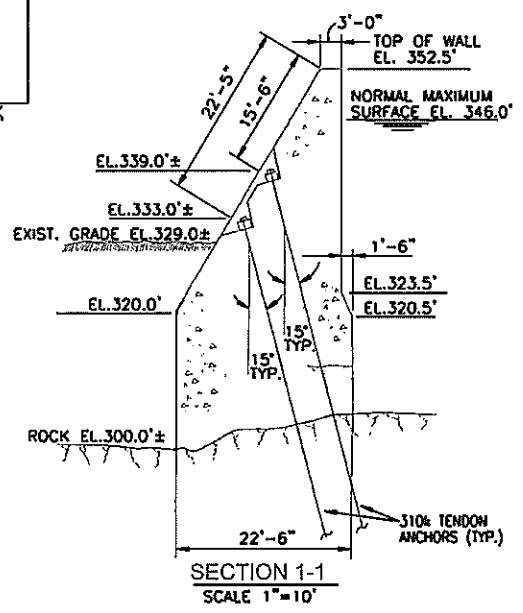
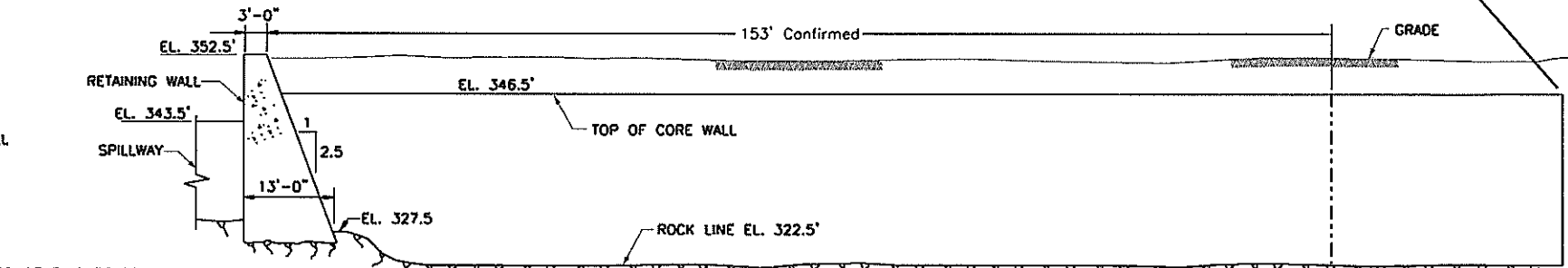
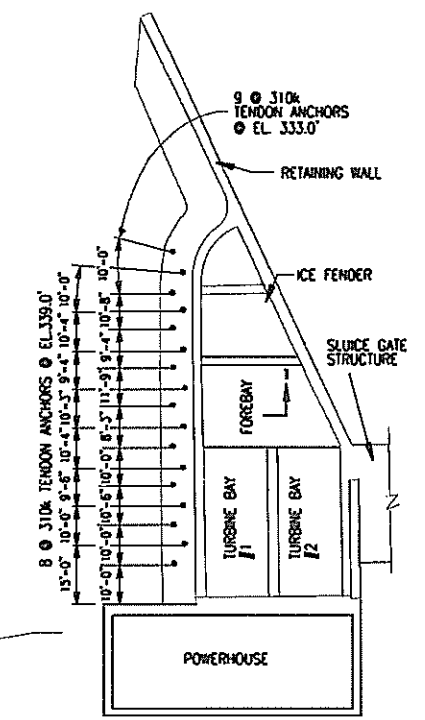
CEII

FERC NO. 2616-1016

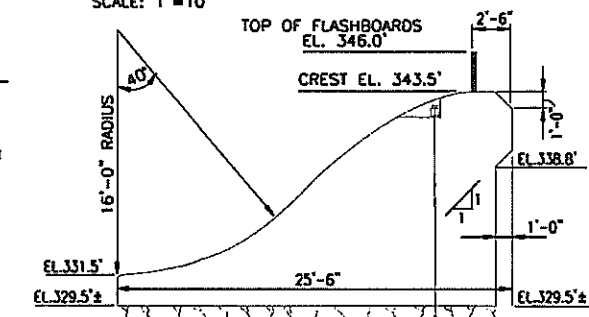
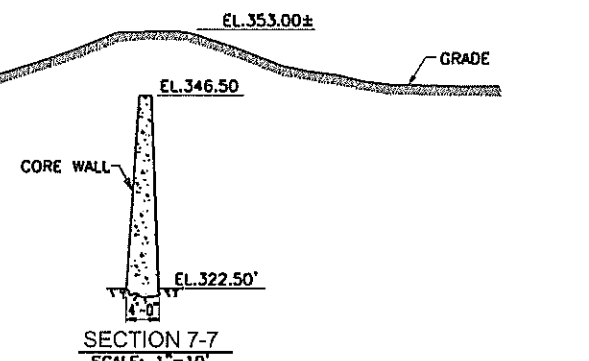
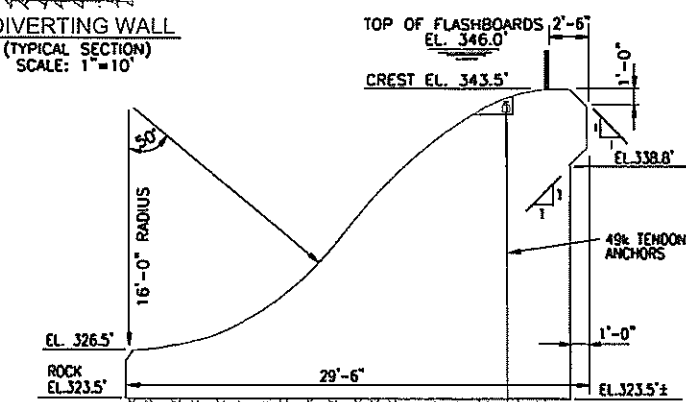
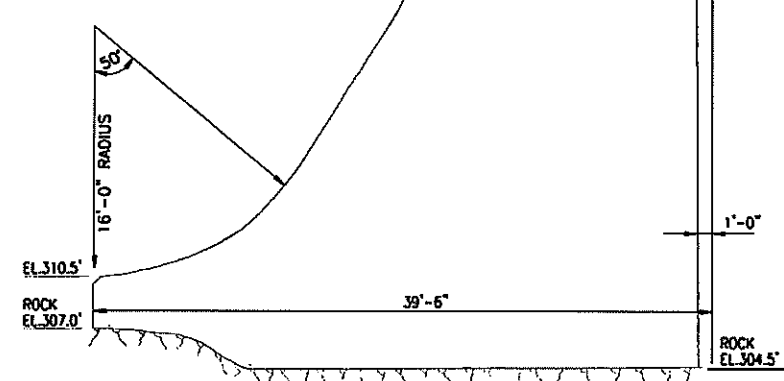
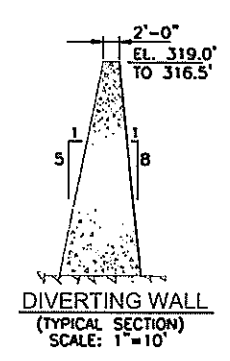
FERC 2616 - 1016



NOTE: CORE WALL LIMIT AS SHOWN IS REPRODUCED FROM MAP ENTITLED "SCHAGHTICOKE ELECTRIC CO. - JOHNSONVILLE TOPOGRAPHIC MAP IN VICINITY OF DAM SITE - MAP 1052" AS PREPARED BY VIELE BLACKWELL & BUCK CONSULTING ENGINEERS ON MAY 20, 1908



NOTE: FLASHBOARDS ARE HINGED AND RESETTABLE



BRIB BOULEVARD HYDROPOWER, LP
LIVERPOOL, N.Y.

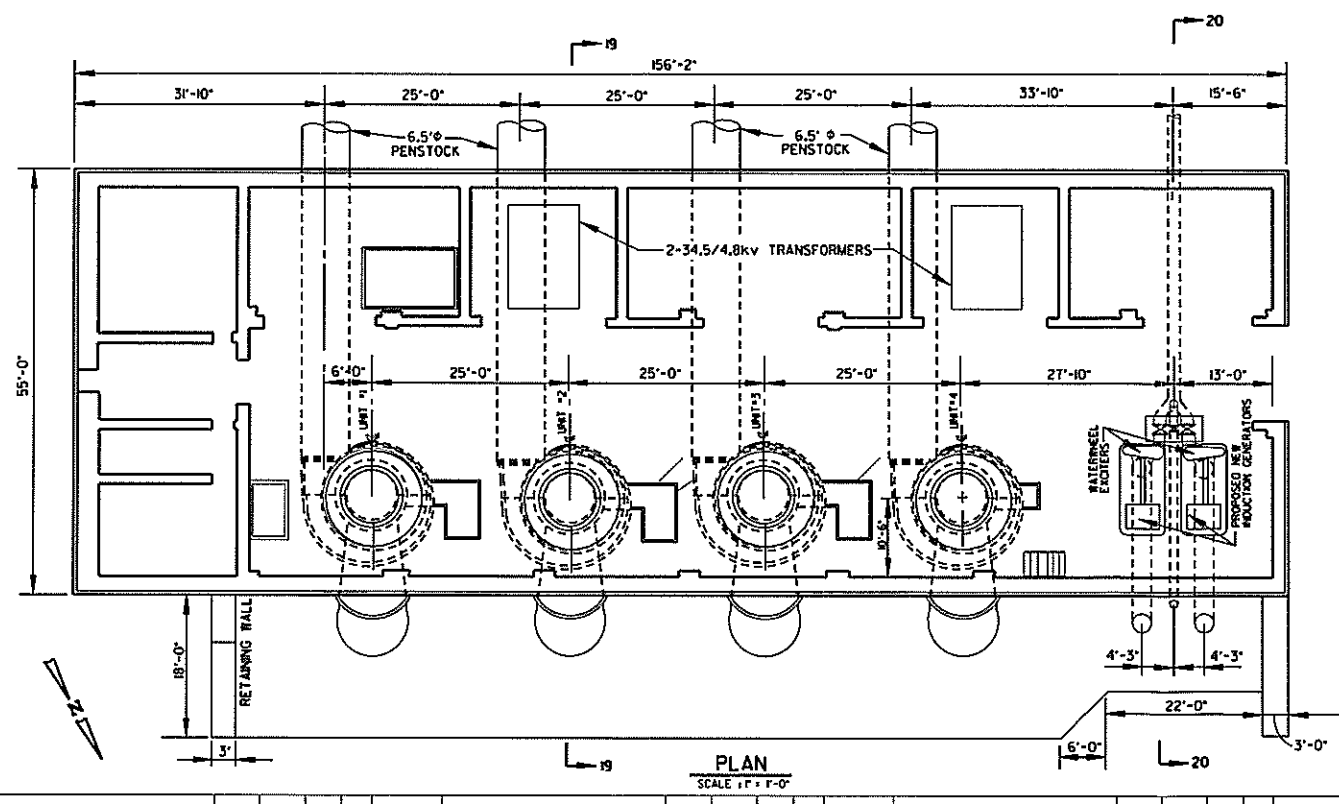
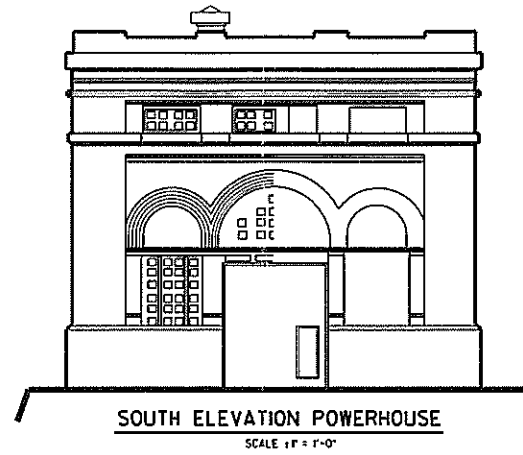
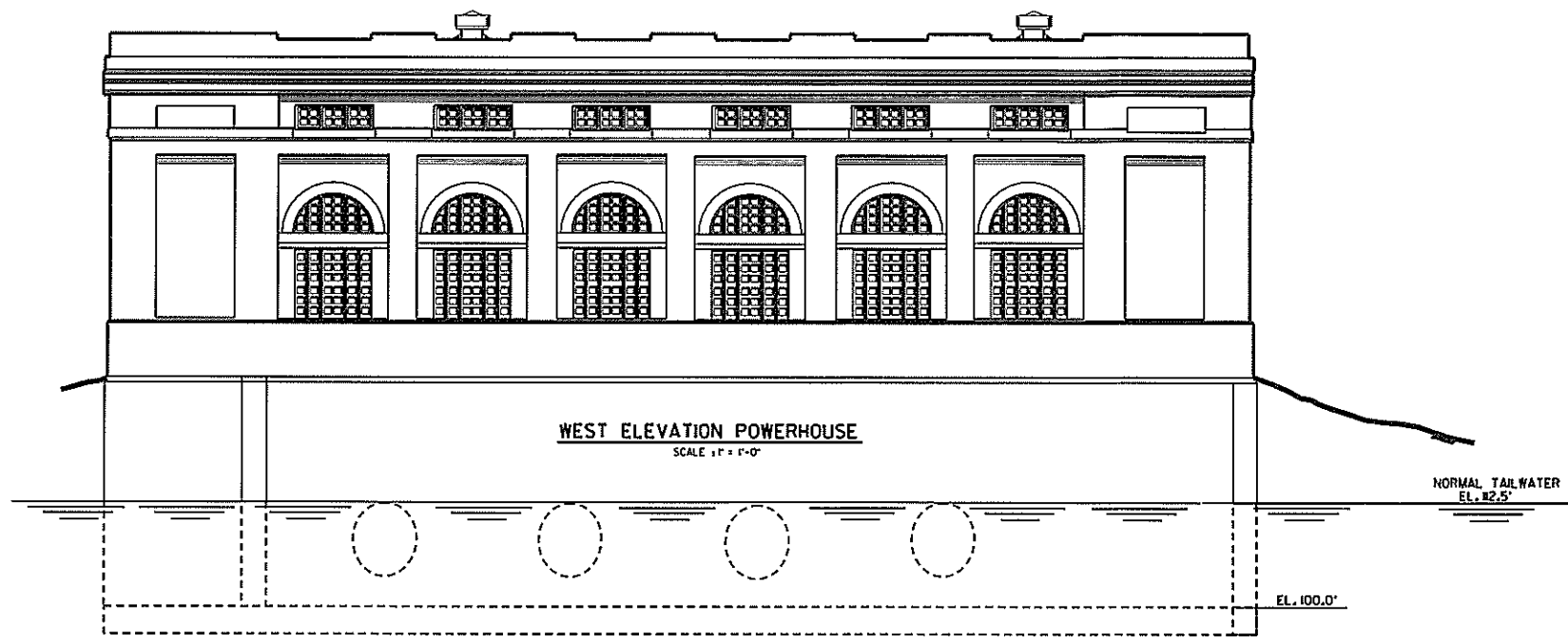
JOHNSONVILLE DEVELOPMENT
GENERAL PLAN, SECTIONS OF DAM, CORE WALL
RETAINING WALL, DIVERTING WALL

EXHIBIT F SCALE: 1" = 10' SHEET NO. 1

CEII

NO.	DATE	DESCRIPTION OF ISSUE OR REVISION	DR.	CK.	APP.	NO.	DATE	DESCRIPTION OF ISSUE OR REVISION	DR.	CK.	APP.	NO.	DATE	DESCRIPTION OF ISSUE OR REVISION	DR.	CK.	APP.	NO.	DATE	DESCRIPTION OF ISSUE OR REVISION	DR.	CK.	APP.
5	6/22/10	ORDER APPROVING																					
4	4/26/10	REVISED PLAN SHEET 3-3 & SECTION 7-7 TO REFLECT ACTUAL CONDITIONS																					
3	1/13/93	LIC. APPLICATION ACCEPTED FOR FILING																					
2	12/16/91	LICENSE APPLICATION																					
1	1/7/91	DRAFT LICENSE APPLICATION																					

ORIGINAL ISSUE DATE
FILE NAME F12616.DGN
F12616.DGN
FERC NO. 2616-1005



THIS IS A CADD DRAWING.
DO NOT MAKE MANUAL CHANGES.

ERIE BOULEVARD HYDROPOWER, LP
LIVERPOOL, N.Y.
HOOSIC RIVER PROJECT
SCHAGHTICOKE DEVELOPMENT
POWERHOUSE PLAN, ELEVATIONS
INCORPORATING PROPOSED NEW INDUCTION GENERATORS

EXHIBIT F SCALE 1/4" = 10' SHEET NO. 6

I:\Projects\2016\20160420\20160420.dwg
 2/20/2016 2:28:48 PM
 I:\Projects\2016\20160420\20160420.dwg
 2/20/2016 2:28:48 PM

NO.	DATE	DESCRIPTION OF ISSUE OR REVISION	DR.	CK.	APP.	NO.	DATE	DESCRIPTION OF ISSUE OR REVISION	DR.	CK.	APP.	NO.	DATE	DESCRIPTION OF ISSUE OR REVISION	DR.	CK.	APP.	NO.
4	8/6/02	ORDER ISSUING NEW LICENSE-FERC DRG NO.																
3	3/13/93	LIC. APPLICATION ACCEPTED FOR FILING																
2	12/16/78	LICENSE APPLICATION	KW	OFF	J.S.													
1	1/17/78	ORIG. LICENSE APPLICATION	JPC	OFF	J.S.													

ORIGINAL ISSUE DATE	
FILE NAME	F62616.DGN
	F62616.CIT
FERC NO.	2616-1010